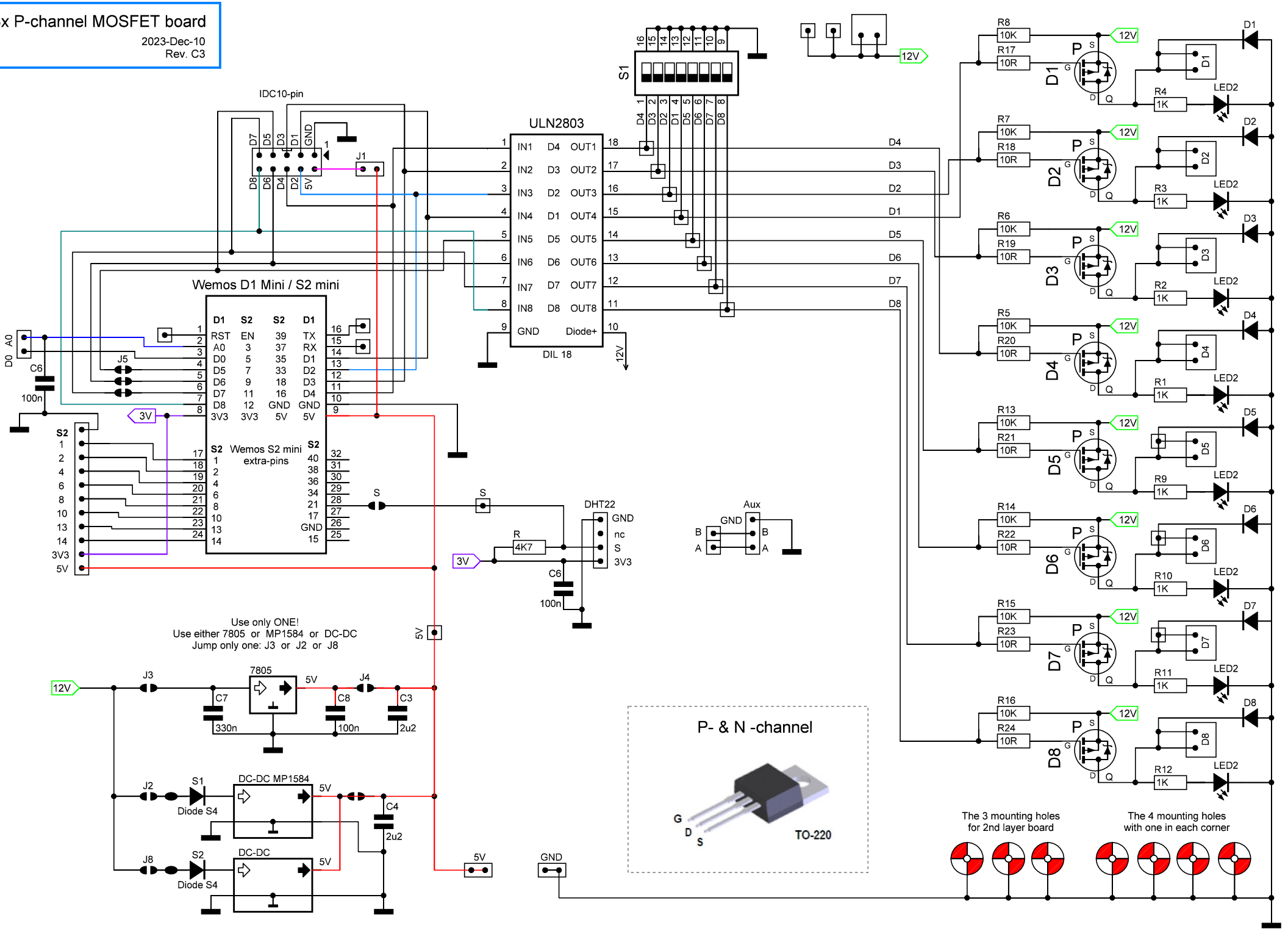


8x P-channel MOSFET board

2023-Dec-10
Rev. C3



Use only ONE!
Use either 7805 or MP1584 or DC-DC
Jump only one: J3 or J2 or J8

